

B ALL CHECK VALVE

FLANGE TYPE

PN 10/16 2"-14" (50-350 mm)

LONG LIFE VALVES



Face-to-Face: Series 48 EN 558-1 (F6).

Products

Type	PN	Ball	Nominal size										
			mm	50	65	80	100	125	150	200	250	300	350
			inches	2"	2.5"	3"	4"	5	6"	8"	10"	12"	14"
001	PN 16	submerging ball		*	*	*	*	*	*				
002	PN 16	floating ball		*	*	*	*	*	*				
003	PN 10	submerging ball								*	*	*	*
004	PN 10	floating ball								*	*	*	*

Flange connection: DIN, BS
Coating: NYLON 11 (Rilsan) / EPOXY

* Order example: 402 type 001 DN 300 DIN NYLON 11 (Rilsan)

Description

Application

One way automatic soft sealed valve avoiding back flow of service liquids.

* Type 001/003 for horizontal piping and vertical parts of piping with flow direction from down to up. suitable for service liquids containing sedimentary parts - should be installed with cap upwards.

* Type 002/004 for horizontal piping or vertical parts of piping with flow direction from up to down - should be installed with cap underneath.

If installed in vertical piping. Pressure difference should be 0.05 bar as a minimum. In horizontal piping - 0.2 bar as minimum. Situation "fully open" occurs at flow velocity over 3 m/s.

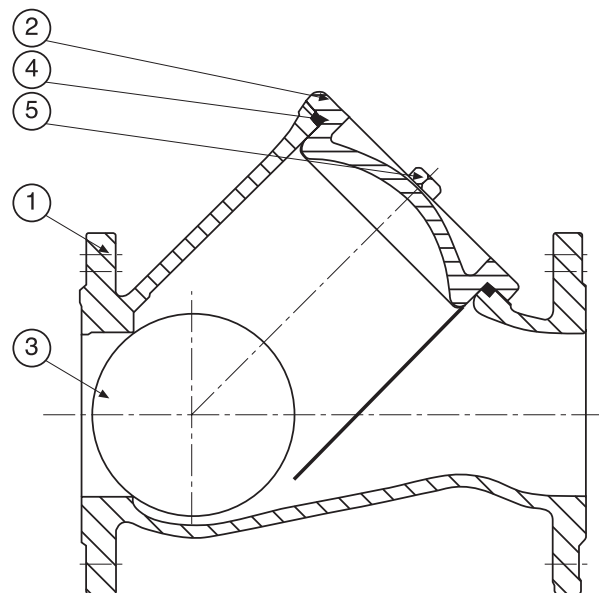
Working temperature up to 50 d. C

Coating

Epoxy powder EP-P, RAL 5005 blue, 250 mic.
Nylon 11 (RILSAN), RAL 5010 blue, 250 mic.

Advantages

- Valve is closed even at low pressure difference.
- Insensitive to dirt.
- No mechanical moved parts.
- Maintenance friendly.
- Clear flow-through cross-section.
- Nylon 11 (RILSAN) coating for high corrosion and abrasion resistance.



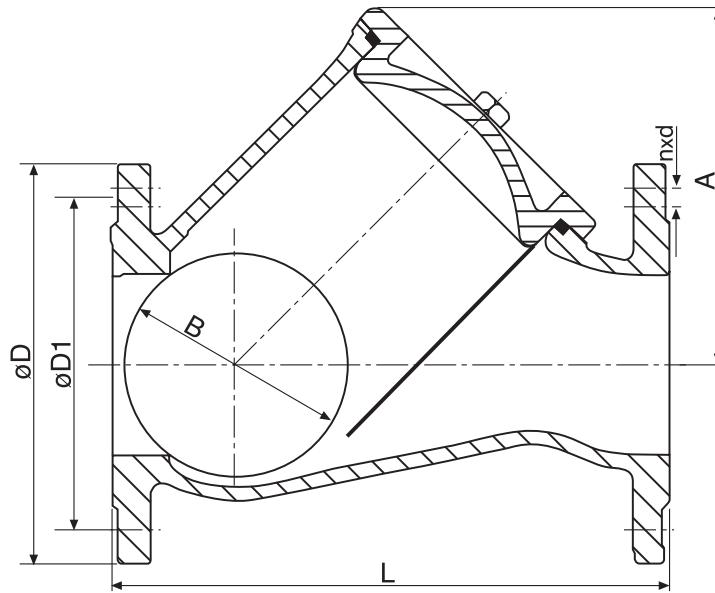
Material Specification

	Material Specification
1	Body Ductile cast iron - GGG40
2	Cover Ductile cast iron - GGG40
3	Ball Aluminium NBR vulcanized
4	O-ring NBR
5	Bolt & Nut Stainless steel

Applications for:	Drinking water	Air cooling system	Hot water	Steam	Water treatment	Sewage water	Sea water	Desalination plants	Chemical industry	Food industry	Pulp/Paper industry	Dry air	Gas	Vacuum
					✓	✓				✓	✓			

402 BALL CHECK VALVE PN 10/16

Dimensions (mm)



402 Dimensions Table

Dimension	DN										
	mm	50	65	80	100	125	150	200	250	300	350
	inches	2"	2.5"	3"	4"	5"	6"	8"	10"	12"	14"
General	A	115	135	180	200	225	260	335	410	490	590
	B	63	80	96	125	150	180	250	320	370	440
	L	200	240	260	300	350	400	500	600	700	800
	[Kg]	9	11	13	20	32	42	74	138	200	310
Flange Dim AS-2129 (BS10)	D	165	185	200	220	250	385	340	400	455	505
	D1	114	127	146	178	216	235	292	356	406	470
	nxd	4 x 18	4 x 18	4 x 18	4 x 18	8 x 18	8 x 18	8 x 18	8 x 22	12 x 22	12 x 26
Flange Dim EN-1092-2 (ND)	D	165	185	200	220	250	385	340	400	455	505
	D1	125	145	160	180	210	240	295	350	400	460
	nxd	4 x 18	4 x 18	8 x 18	8 x 18	8 x 18	8 x 23	8 x 23	12 x 23	12 x 23	16 x 23

Dimensions and weight can be changed without notification.